

LANSEN

QUICK INSTALLATION GUIDE

OUTDOOR LONG RANGE MAINS REPEATER WITH TWO EXTERNAL ANTENNAS

[LAN-WMBUS-RX4-M-LR-A2-X]



IMPORTANT!

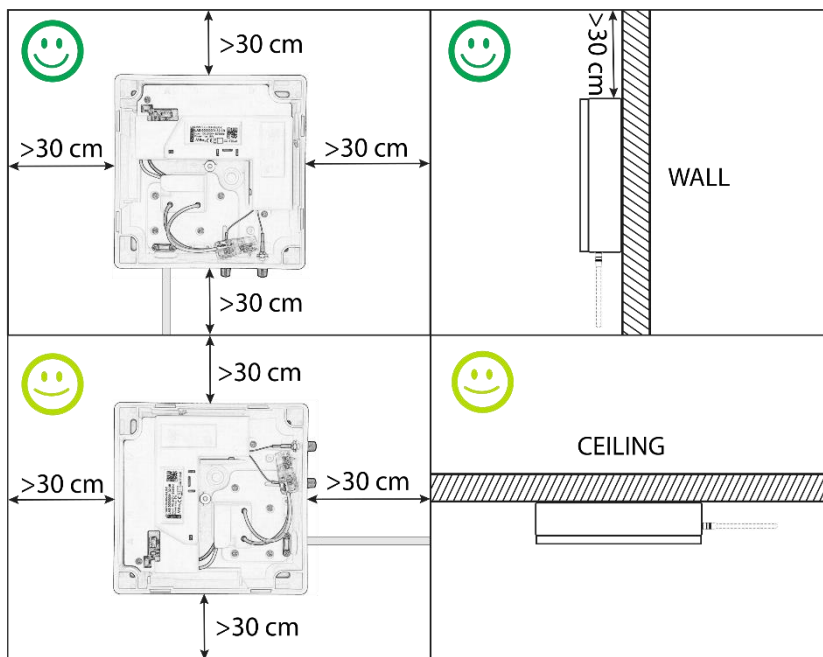
Appropriate disconnection device, such as a power supply cable with socket, shall be used as part of the building instruction. It should be close to the device and easily accessible to the user. Furthermore, a 230 VAC installation **MUST** be carried out by authorized installer according to the relevant electrical safety regulations.

Recommended mounting instructions:

- Keep at least 30cm in all directions to other objects or walls/ceiling/floor.
- Can be mounted on many things such as walls, poles, pipes, and masts.
- The label on the device **MUST** be on the left side and the external SMA connections **MUST** point downwards, for the device to be fully protected against water.

Installation location and direction:

It is recommended to install the repeater upright on a wall, pole, pipe, or similar, but it can also be installed on a ceiling. It is highly recommended to mount the device as the image below.



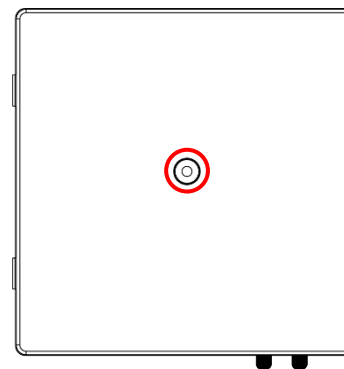
Step 1

Find a suitable place to install the repeater, such as walls, poles, or masts. To mount a repeater on a pole, or similar, it's recommended to use Lansen pole mounting kit (article number LAN-910-0066).

Step 2

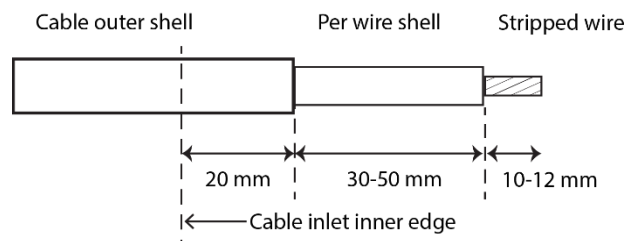
Unscrew the screw (marked with a red circle on the image below) and remove the cover by pushing the clips at both sides of the cover.

Note: The screw is a Security Torx T20H (with a small pin in the middle).



Step 3

Strip the power supply cables according to the diagram below.



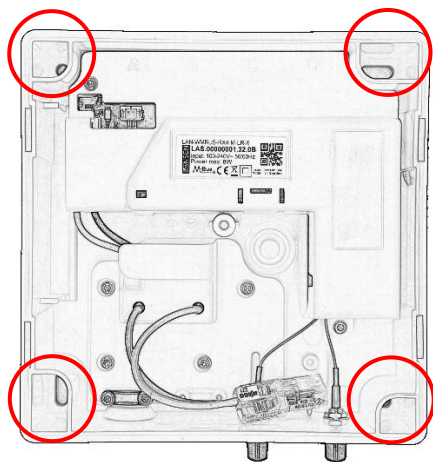
Step 4

Depending on how the repeater is going to be installed, one must follow different mounting instructions:

- a. Mounting on a wall: Go to **Step 5**
- b. Mounting on pole or mast: Go to **Step 6**

Step 5 (Mounting on a wall)

Take the repeater and hold it where it is going to be mounted. Mark the holes (red circles), pre-drill if necessary (depending on the material), and mount the device by using four screws (not included). Continue to **Step 7**.



Step 6 (Mounting on a pole/mast)

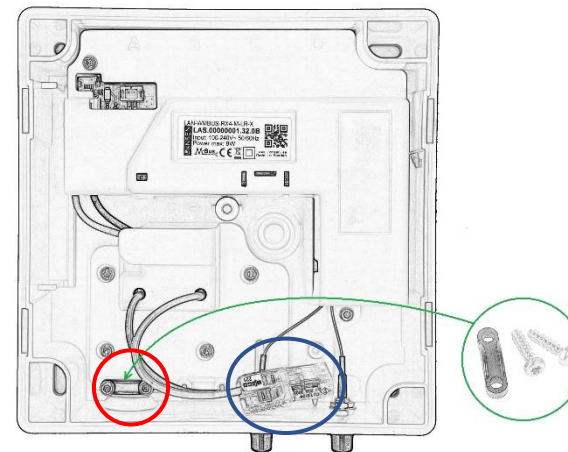
Install the Lanser pole mounting kit (article number LAN-910-0066) on the back of the repeater. Pull the straps through the holes and wrap it around the pole or pipe which the repeater is going to be mounted on and tighten the straps, so it is securely mounted.

Note: More detailed instructions with pictures will be available in next version of the installation guide!

Step 7

Thread the power supply cable (prepared in **Step 3**) through the cable inlet on the side (marked by red circle). Connect the power supply cable to the coupling clamps on the inside (marked by blue circle).

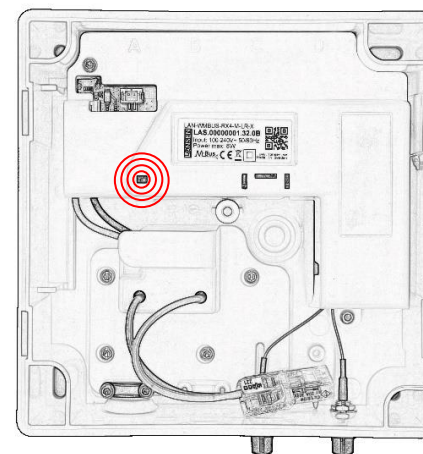
Note: If using the cable guide on the side, make sure to use the strain relief (marked by green circle) which is included in the package.



Step 8

Connect power to the repeater. A couple of seconds after power-on, a red LED will start blinking for every packet the repeater retransmits.

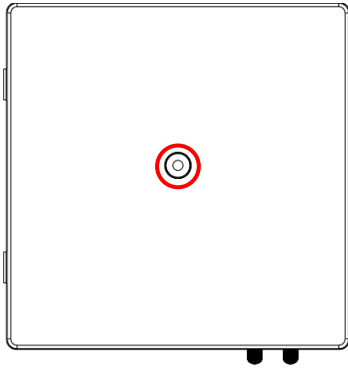
Note: If the red LED turns on for three seconds after power-on (~15s), this indicates a problem with the device. Please contact place of purchase.



Step 9

Attach the cover and mount the screw (marked with a red circle on the image below). Make sure the clips at both sides of the cover are firmly attached.

Note: The screw is a Security Torx T20H (with a small pin in the middle).

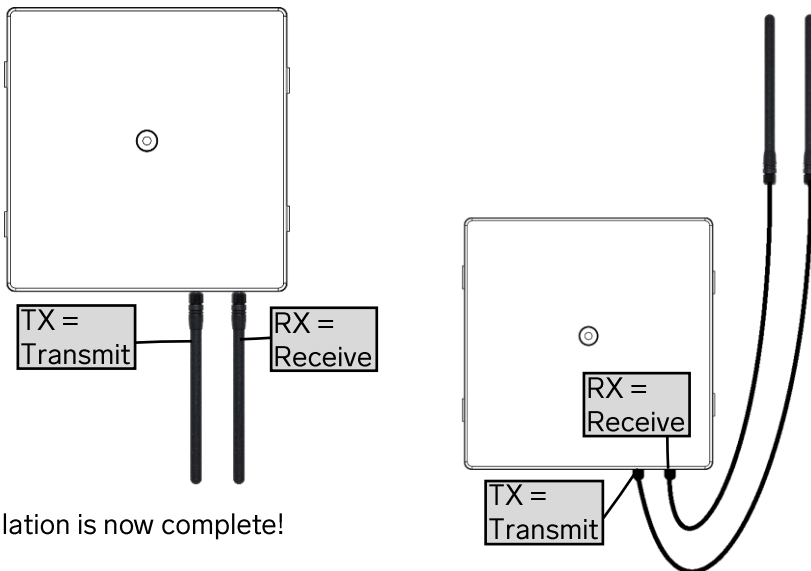


Step 10

Attach two external antennas to the device, either directly on the SMA connection (see left picture below) or with an antenna cable (see right picture below). Typically, smaller antennas are mounted directly on the SMA connection while larger antenna requires being mounted upright and with an antenna cable.

Note: Put receiving (RX) antenna on the connection closest to the corner

Note: Put transmitting (TX) antenna on the other connection (see below)



Installation is now complete!

Additional information

Please note that antennas and antenna cables are not included. See our full range of antennas, cables, and other accessories under our “accessories section”:

<https://www.lansensystems.com/assortment/accessories/>